



# LINE X 05

Low Voltage System

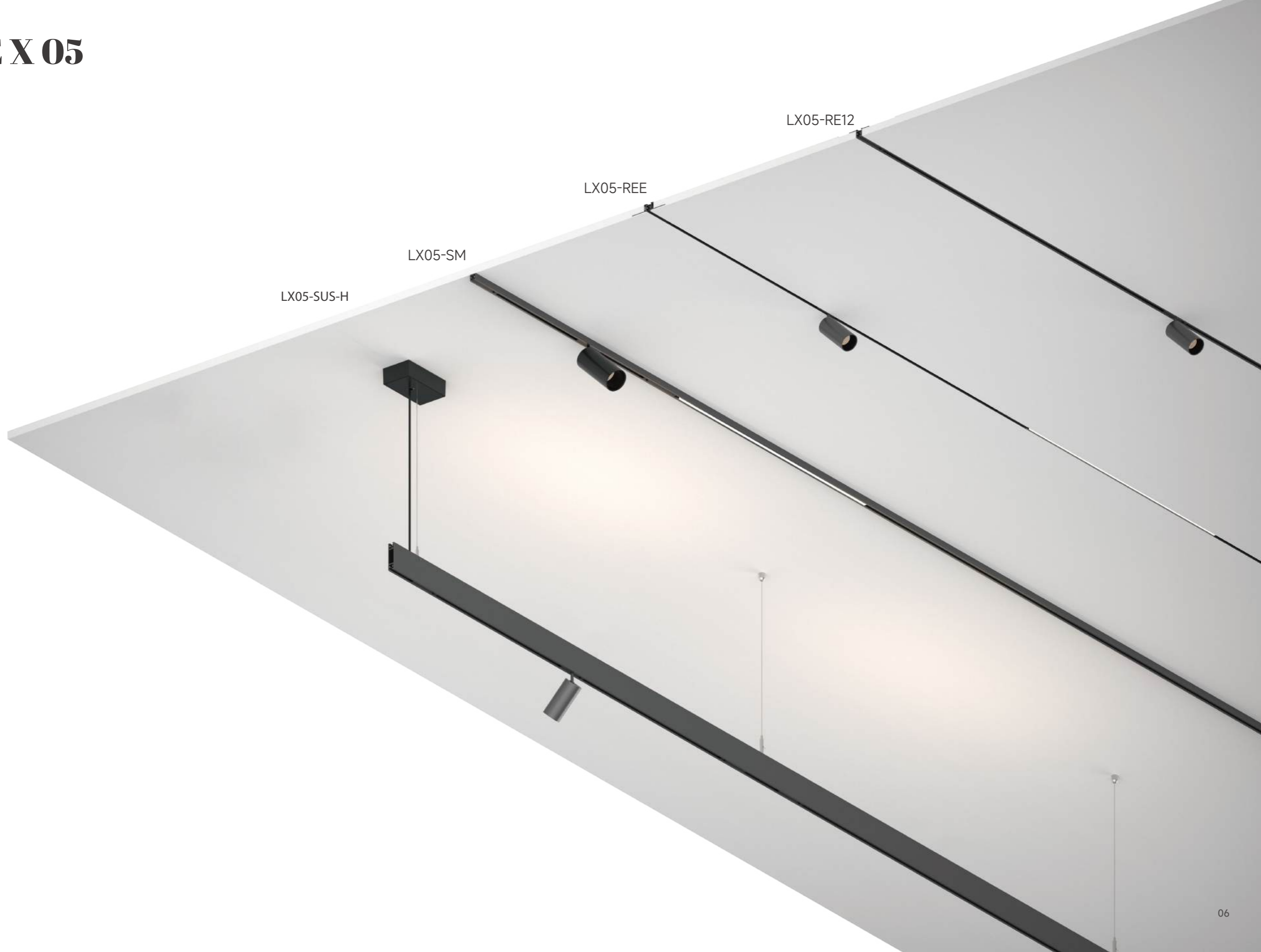
Thin extruded aluminum profile with 5mm width groove  
24VDC Version  
Good application for residential lighting projects  
Available for Triac-dimming

# LINE X 05



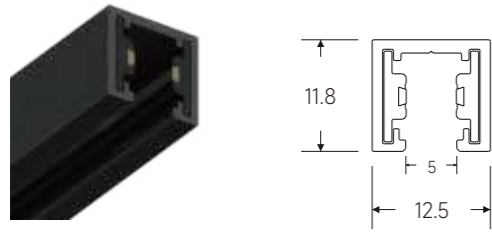
Line X 05 is a low voltage track system with an ultra-narrow widths of 5mm. It includes trimless recessed, suspended, and surface-mounted styles. This extensive range makes it versatile enough for almost any lighting application, from residential spaces to hospitality and retail environments. The system also features a variety of modules that seamlessly integrate with the tracks. These modules attach effortlessly via mechanical clips.

# LINE X 05



# LINE X 05

## Surface-mounted Track

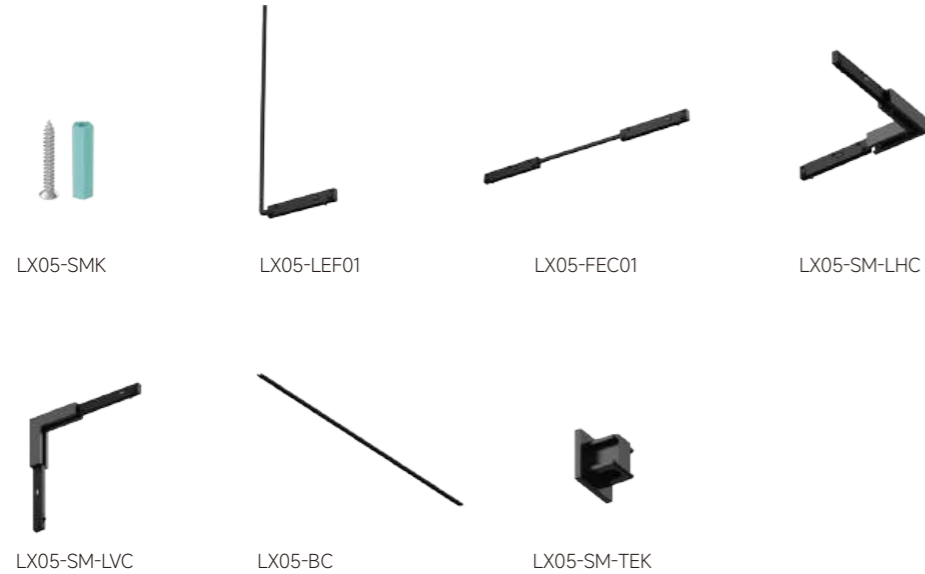


### Order Options

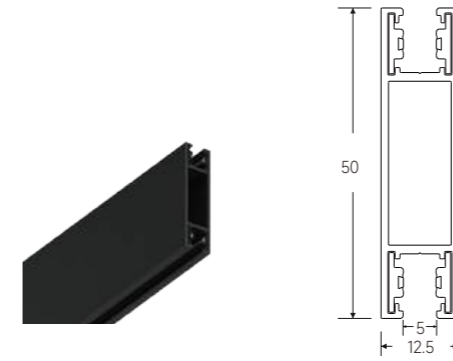
Code	Description	Length(mm)	Installation
LX05-SM	surface-mounted	1000/2000	surface-mounted

### Accessories

#### LX05-SM



## Suspended Track

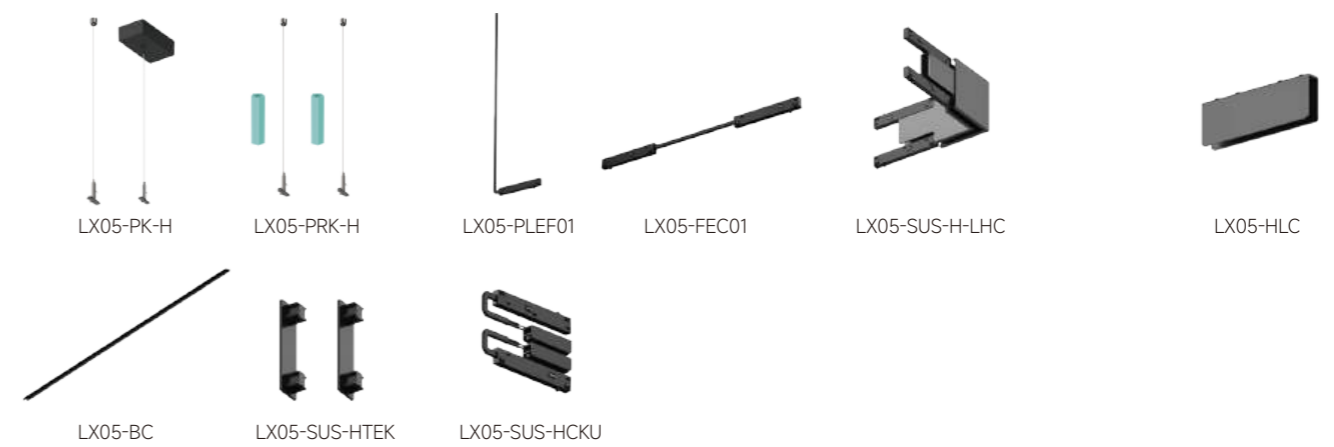


### Order Options

Code	Description	Length(mm)	Installation
LX05-SUS-H	downward & upward lighting	1000/2000	suspended

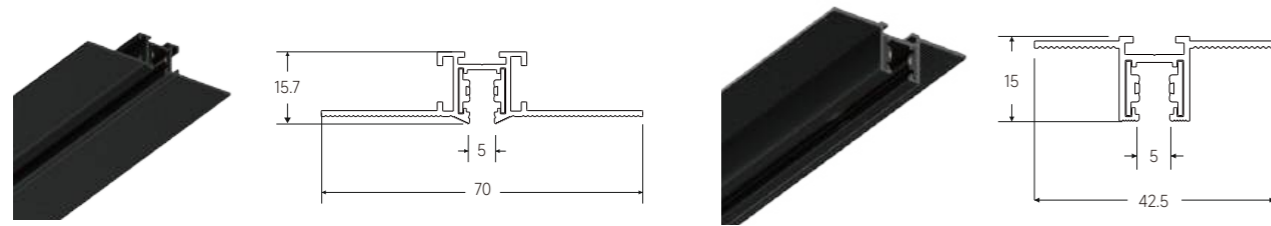
### Accessories

#### LX05-SUS-H



# LINE X 05

## Recessed Track



### Order Options

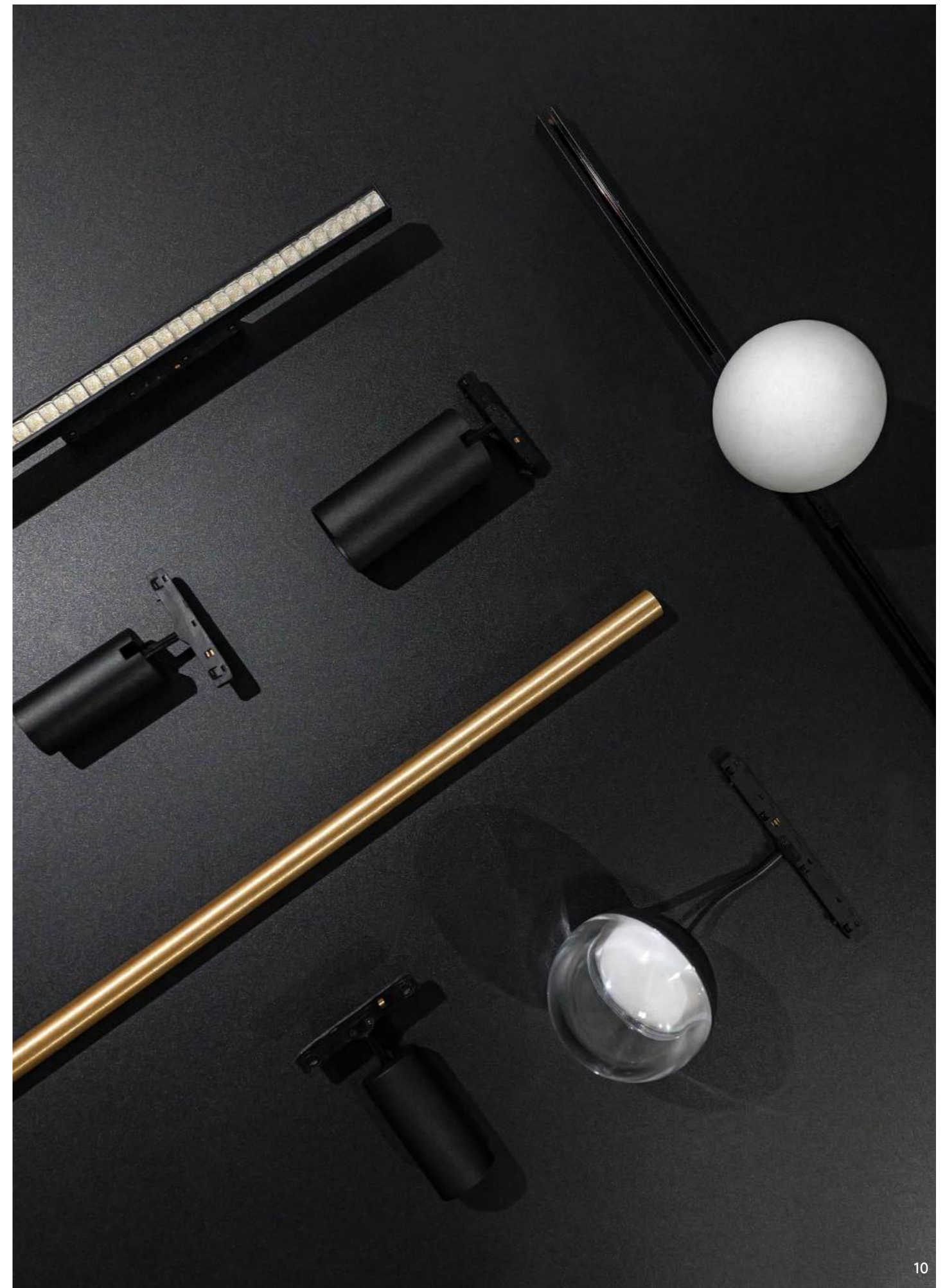
Code	Description	Length(mm)	Installation
LX05-REE	easy installation	1000/2000	trimless recessed
LX05-RE12	compatible with 1/2" ceiling	1000/2000	trimless recessed

### Accessories

#### LX05-REE



#### LX05-RE12



# LINE X 05



## LX05-RS30-4W

System Lumen Output: 250lm  
System Wattage: 4W  
Size: 58mm x  $\Phi$ 32mm  
Beam Angle: 18°/24°/36°  
Housing Color: Black/White  
CCT: 2700K/3000K/4000K  
CRI: >90

## LX05-RS40-8W

System Lumen Output: 600lm  
System Wattage: 8W  
Size: 88mm x  $\Phi$ 40mm  
Beam Angle: 18°/24°/36°  
Housing Color: Black/White  
CCT: 2700K/3000K/4000K  
CRI: >90



# LINE X 05



## LX05-SURI 60

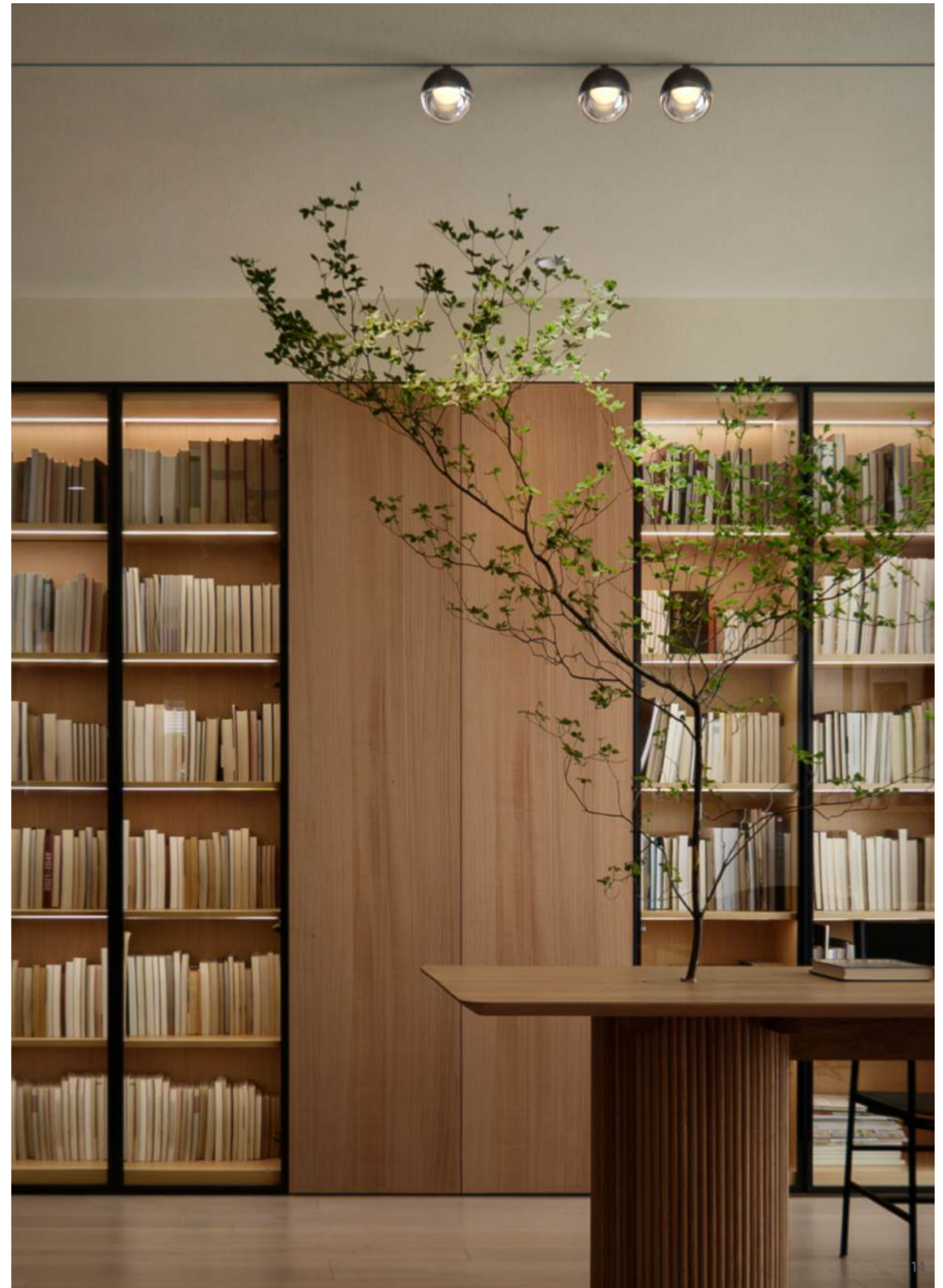
System Lumen Output: 220lm  
System Wattage: 4W  
Size:  $\Phi 60\text{mm}$   
Beam:  $18^\circ/24^\circ/30^\circ$   
CRI:  $>90$   
CCT: 2700K/3000K/4000K  
Color: White/Black

## LX05-SCD80

System Lumen Output: 270lm  
System Wattage: 4W  
Size:  $\Phi 80\text{mm}$   
CCT: 2700K/3000K/4000K  
CRI:  $>90$   
Color: Black/White/Golden

## LX05-SPD80

System Lumen Output: 170lm  
System Wattage: 2W  
Size:  $\Phi 80\text{mm}$   
CCT: 2700K/3000K/4000K  
CRI:  $>90$   
Color: Black/White



# LINE X 05



## LX05-PS16/PS25

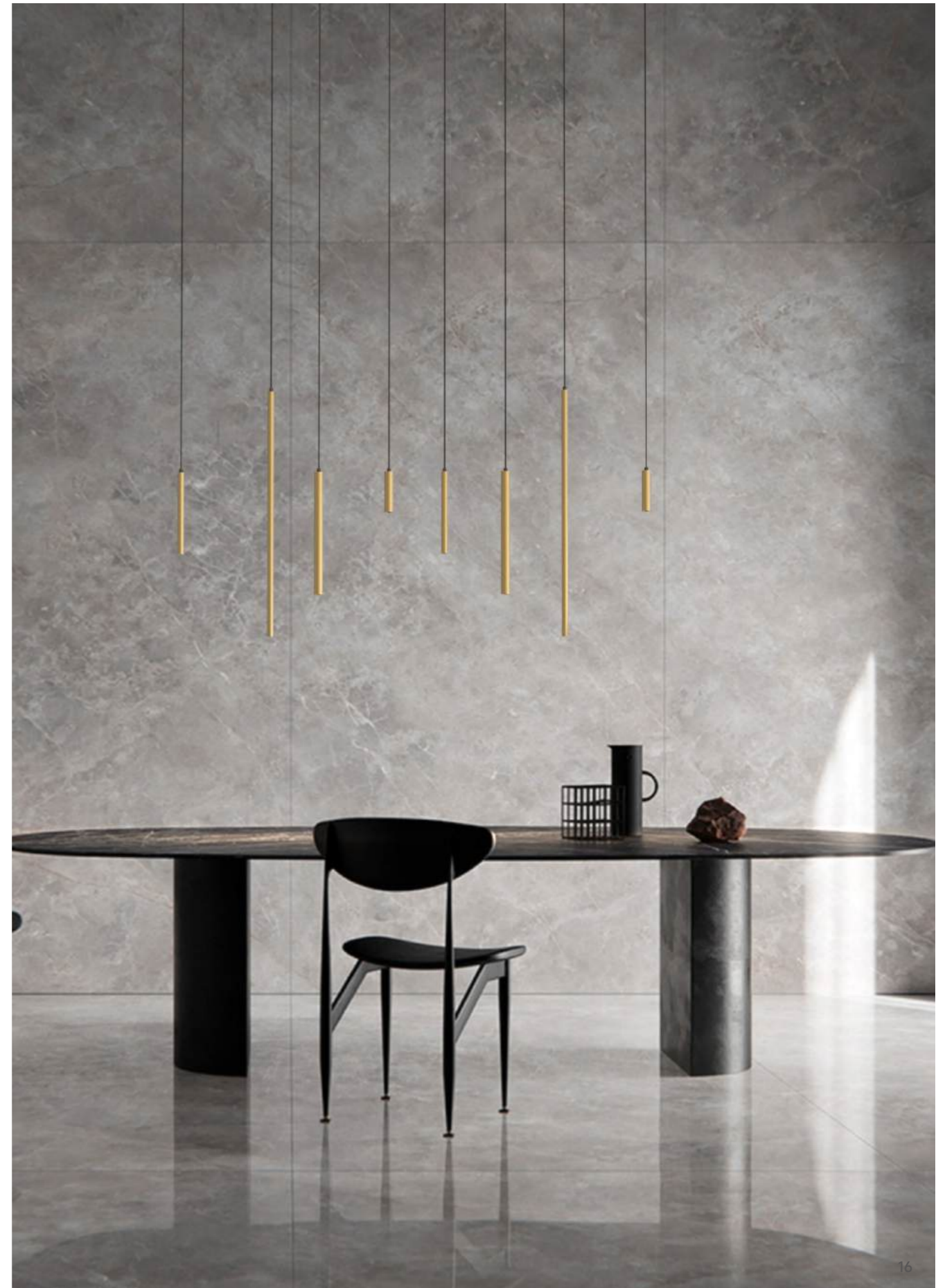
System Lumen Output: 160lm/230lm

System Wattage: 3W/4W

Size:  $\Phi$ 16mm/25mm

CCT: 2700K/3000K/4000K

Color: Black/White/Brushed gold/Brushed bronze





# LINE X 05

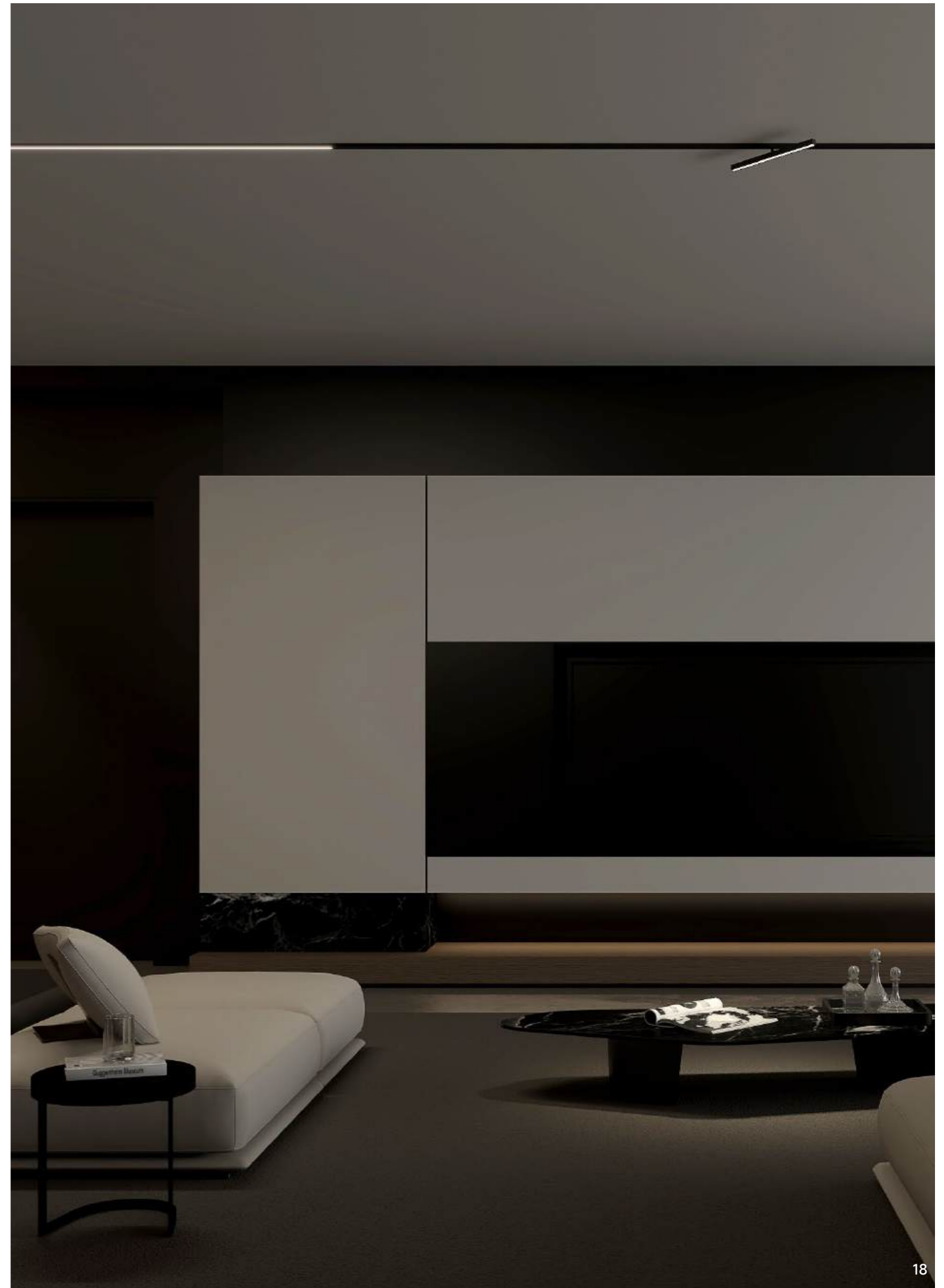


## LX05-A-AL300

System Lumen Output: 1350lm  
System Wattage: 12W  
Beam Angle: 45°/80°  
CCT: 2700K/3000K/4000K  
CRI: >90  
Color: White/Black

## LX05-GL1250-6W LX05-GL2500-12W

System Lumen Output: 250lm/500lm  
System Wattage: 6W/12W  
Beam Angle: 110°  
CCT: 2700K/3000K/4000K  
CRI: >90



# LINE X 05

## Line X 05 System-modular track kit, easy installation package

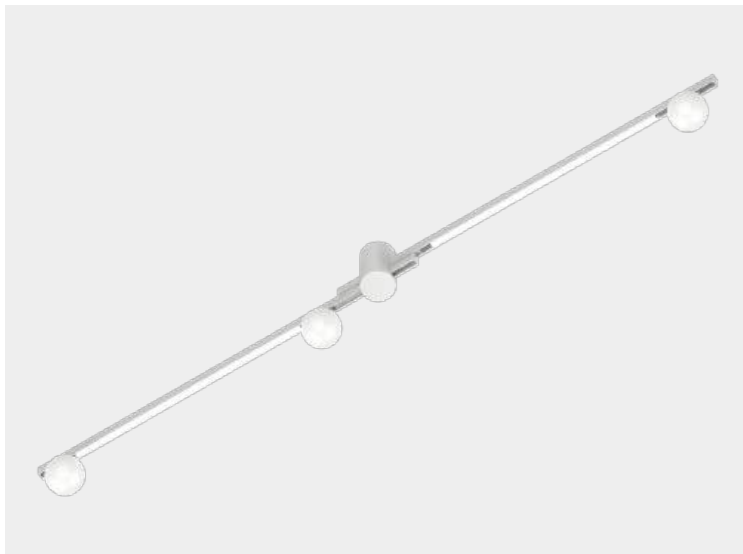
The Line X 05 is available in a form of modular track kit, which is easy-to-use as a package.

Multiple modules can be integrated with the track easily.

Available in classic black, white, and trending brushed bronze, brushed gold color.

Various inserts, like accent lighting insert, general lighting insert, spotlight insert can be easily mounted to the track.

It is ideal for residential lighting, retail shop applications etc.



Spotlight insert

General lighting insert

### Color

- White
- Black
- Brushed gold
- Brushed bronze

