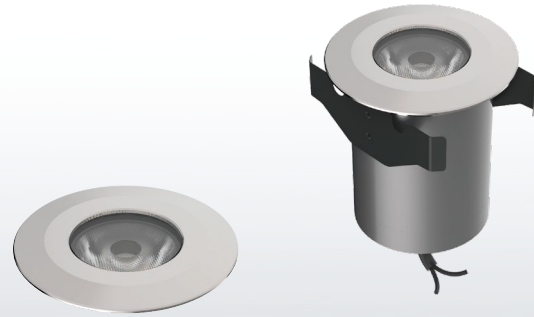
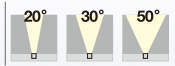


# DORI/DORI Maxi

Recessed Ground Light

IP 67 [5m]    800 Kg    Input 12-24VDC    Top cover Stainless Steel 316    CE



## Quickinfo

### GENERAL

underground  
IP 67

### LED

CITIZEN LED module  
2700K, 3000K, 4000K  
CRI > 80, CRI > 90  
Bining < 3-Step MacAdam

### ESTIMATED LED LIFETIME

L80 / 50,000h

### OPTICAL

direct illumination  
beam angle 20°, 30°, 50°

### PHYSICAL

top cover: stainless steel 316  
body: anodized aluminium

## Features



Body: Anodized Aluminium  
Glass: tempered glass

## Function

A perfect marker light for in-ground or outdoor application.

IP 67 design with integral thermal management for long life.

High precision machining ensures perfect mechanical fit for long life.

8 mm Tempered glass lens support 800 kg "driver over" performance,

High reliability, maintenance free.

Light emission: one emission, two opposite emissions.

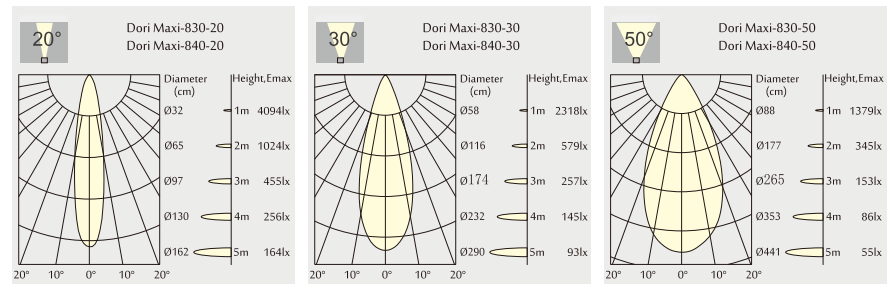
Very low surface temperature lens can

Very low surface temperature lens can be touched without injury  
Suitable for indoor applications in bathroom, kitchens, bars when lens may be touched without injury.

## Light distribution for 3000K



### 10W 850 lm-900 lm



## Order Information

**Dori Maxi 850-900Lm MODELS** ( With CITIZEN LED,DC-DC Driver )

Code	Module output	Input Voltage	LED Power	System Power	CRI	CCT	BEAM
Dori Maxi-830-20	850 lm	24 V	9W	10 W	83	3000K	20°
Dori Maxi-840-20	900 lm	24 V	9W	10 W	83	4000K	20°
Dori Maxi-830-30	850 lm	24 V	9W	10 W	83	3000K	30°
Dori Maxi-840-30	900 lm	24 V	9W	10 W	83	4000K	30°
Dori Maxi-830-50	850 lm	24 V	9W	10 W	83	3000K	50°
Dori Maxi-840-50	900 lm	24 V	9W	10 W	83	4000K	50°