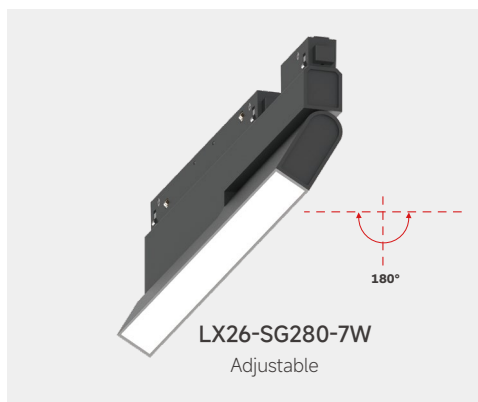
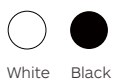


# LINE X 26 Series

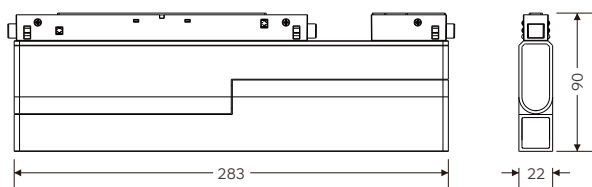
DC48V Low Voltage System



## General Light Low Voltage System



### Drawings



### Order Options



#### LX26-SG280-7W

Code	System LM	LED W	System W	Input Voltage	CRI	CCT	Beam
LX26-SG280-7W-930-110	400Lm	6W	7W	DC48V	90	3000K	110°
LX26-SG280-7W-940-110	450Lm					4000K	

### Optional color

